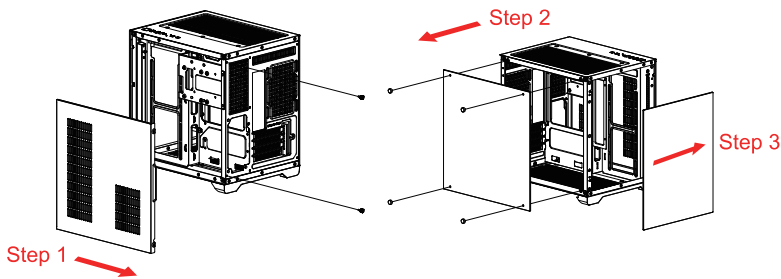


G-Pellucid MicroATX

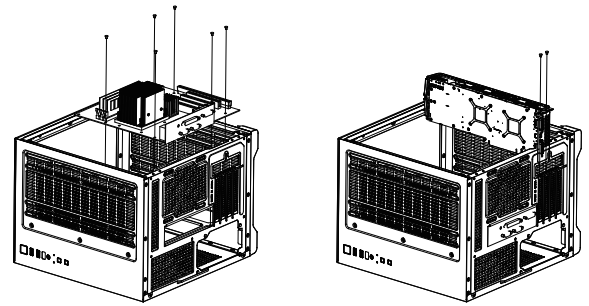
User Guide

1 Dismantling Front and Side Panels



- Step 1: Unscrew 2 screws to dismantle the Right Steel Panel
- Step 2: Unscrew 2 screws to dismantle the Left Tempered Glass Panel
- Step 3: Slide the Front Tempered Glass Panel towards the Right direction to unlatch and to dismantle the Tempered Glass Panel.

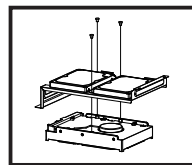
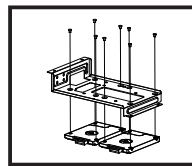
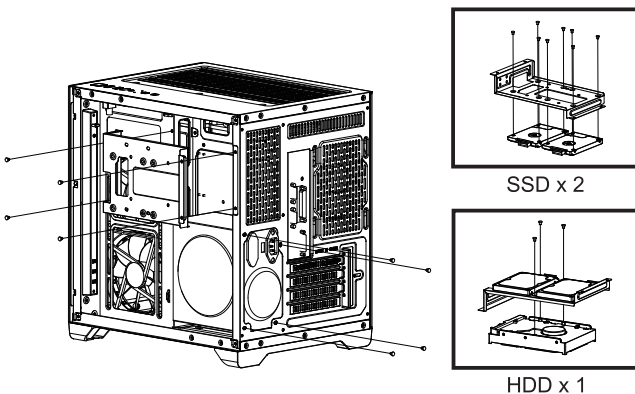
2 Motherboard and Graphic Card Installation location



Motherboard

Graphic Card

3 SSD, HDD, PSU installation location



Dimension:	348mm(L) x 280mm(W) x 377mm(H)
Motherboard:	MicroATX / Mini ITX
Power Supply Depth:	Up to 160mm
CPU heatsink height:	Up to 157mm
Graphic Card Length:	Up to 330mm
Hard Drive:	HDD x 1 + SSD x 2, or HDD x 3 or SSD x 3
PCI Slot:	4
I/O Ports:	USB3.0 x 2, HD Audio/Mic
Air Cooling (Up to 7 fans):	Top 120mm x 2, Side 120mm x 2, Bottom 120mm x 2, Rear 120mm x 1
Water Cooling:	Top 240mm Radiator