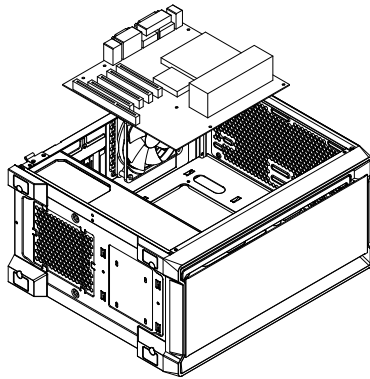
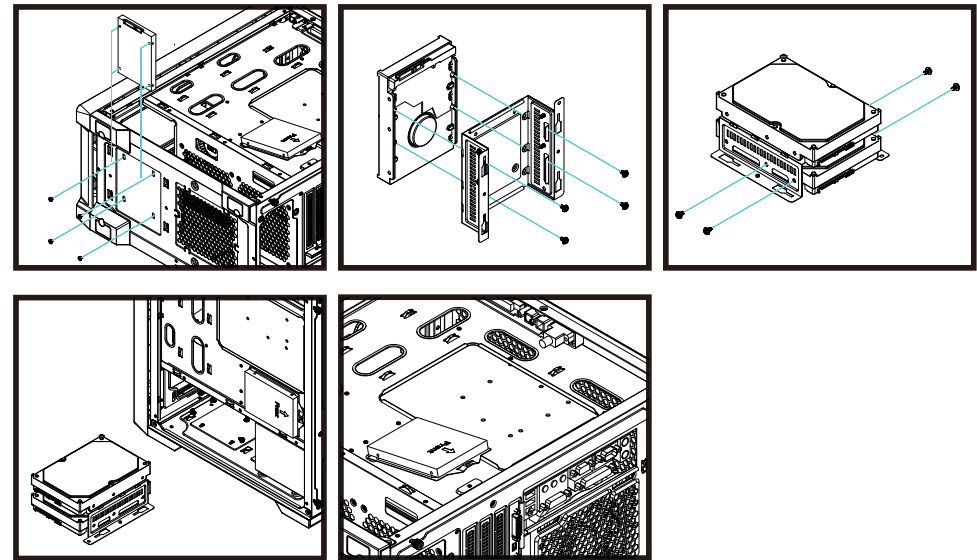


1 Motherboard Installation Guide



CASE TYPE		MicroATX Tower
CHASSIS THICKNESS		0.5mm with black coating
MOTHERBOARDS		Micro-ATX / ITX
CASE DIMENSION (INTERNAL)		335(W) x 210(D) x 407(H)mm
CASE DIMENSION (OVERALL)		376(W) x 210(D) x 417(H)mm
FRONT PANEL		ABS + Steel plate + Magnet mesh, Triangular Hole design Front Steel panel
SIDE PANEL	LEFT	Swivel Door Hinge Tempered Glass
	RIGHT	Steel
DRIVE BAY	HDD	1 x 3.5" HDD + 2 x 2.5" SSD or 2 x 3.5" HDD + 1 x 2.5" SSD
	SSD	
I/O PORT		USB Type C + USB 3.0 x 2 + MIC + HD Audio
FAN (Not Included)	FRONT	120mm x 3 or 140mm x 2 (Not Included)
	TOP	120mm x 2 or 140mm x 2 (Not Included)
	REAR	120mm x 1 (Not Included)
	PSU COVER	120mm x 2 (Not Included)
CPU COOLER HEIGHT		Max. 160mm
VGA CARD LENGTH		Max. 330mm
WATER COOLING		Front 120/240mm, Top 120/240mm, Rear 120mm (All Not Included)
DUST COVER		Top Magnetic Dust Filter
PCI EXPANSION SLOTS		4
POWER SUPPLY COMPATIBILITY		Standard ATX / ATX12V up to 180mm Depth (PSU Not Included)

2 SSD and HDD Installation Guide



3 How to remove the Front Mesh Cover and Dust Filter

