



b-Pellucid MicroATX

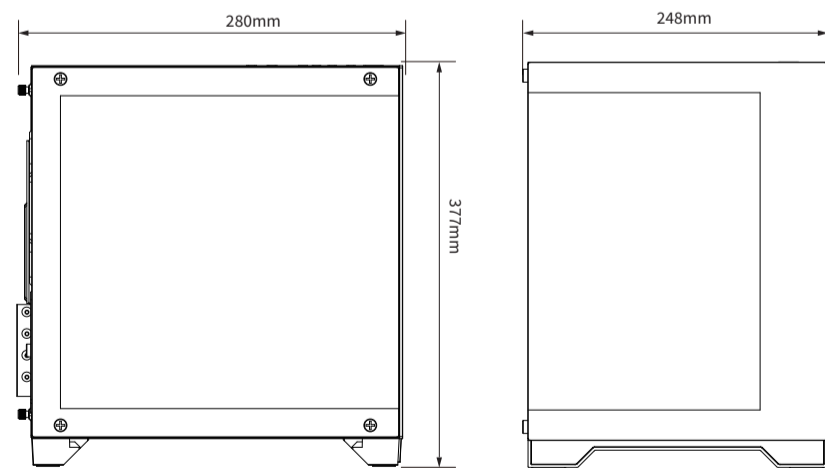
User's Manual

Precautions

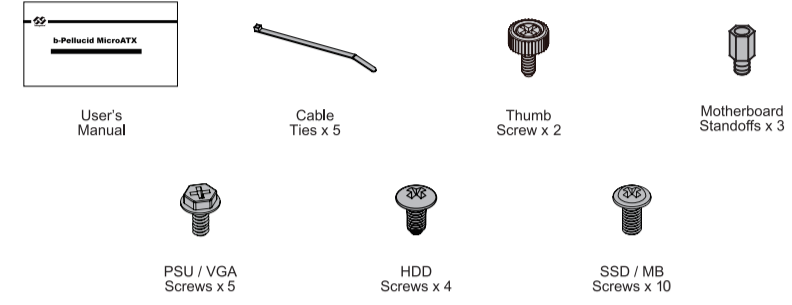
- Read this manual carefully before installing.
- Check the product and components before installing. If you find any abnormality, contact the location where you purchased the product for a replacement or refund.
- Wear gloves to prevent accidents when installing the product.
- Severe damage may occur when mounting the system, so do not apply excessive force.
- Connecting the cable incorrectly may cause a fire due to a short circuit. Make sure to refer to the manual when connecting the cable.
- Be careful not to block the ventilation hole of the product when using the system.
- Avoid locations with direct sunlight, water, moisture, oil, and excessive dust. Store and use the product in a well-ventilated location.
- Do not wipe the surface of the product using chemicals, (organic solvents such as alcohol or acetone).
- Do not insert your hand or other object into the product during operation, as this may injure your hand or damage the object.
- Store and use the product out of children's reach.
- Our company assumes no responsibility for any problem that occurs due to the use of the product for purposes other than its designated purposes and/or the carelessness of the consumer.
- The exterior design and specifications of the product are subject to change without prior notice to consumers for quality improvement.

Specifications

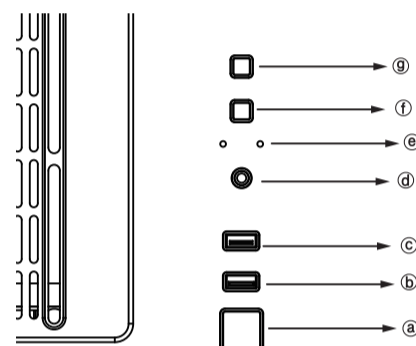
CASE TYPE	Micro ATX Tower
CHASSIS THICKNESS	0.5mm
MOTHERBOARDS	Micro-ATX / ITX
CASE DIMENSION (INTERNAL)	345(W) x 280(D) x 350(H)mm
CASE DIMENSION (OVERALL)	248(W) x 280(D) x 377(H)mm
FRONT PANEL	Tempered Glass
SIDE PANEL	LEFT: Tempered Glass RIGHT: Steel
DRIVE BAY	HDD (3.5") 1 SSD (2.5") 2
I/O PORT	USB 3.0 x 2 / MIC / HD Audio
FAN (Included)	TOP: 120mm x 2 (Not Included) M/B FRONT: 120mm x 2 (Not Included) REAR: 120mm x 1 (Not Included) BOTTOM: 120mm x 2 (Not Included)
CPU COOLER HEIGHT	Max. 157mm
VGA CARD LENGTH	Max. 330mm
WATER COOLING (TOP)	240mm
DUST COVER	Top Magnetic Dust Filter; Bottom Drawer-Like Dust Filter
PCI EXPANSION SLOTS	4
POWER SUPPLY COMPATIBILITY	PSU length max 160mm (Not Included)



Accessories

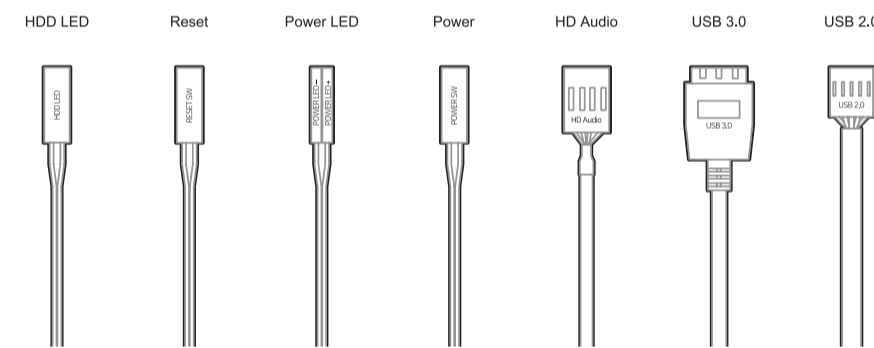


I/O Ports

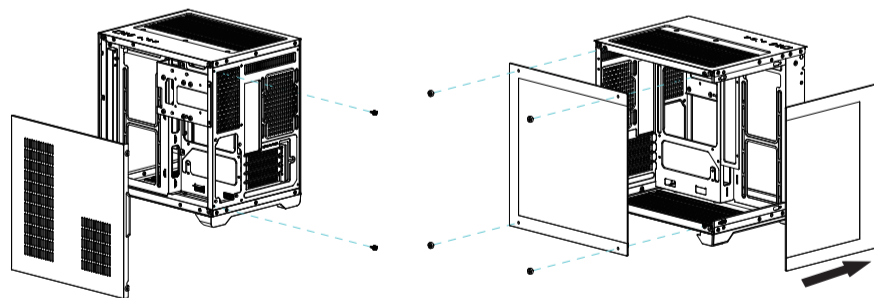


#	Part	#	Part	#	Part	#	Part
1	Power Button	4	USB 3.0	7	USB 2.0	8	HD Audio
2	HDD / Power LED	5	Reset Button	8	LED Button		

I/O Connectors

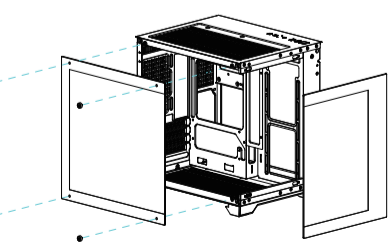


1. Removing the side panels

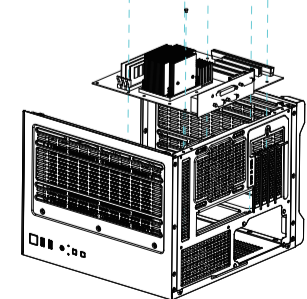


2. Removing the Front glass

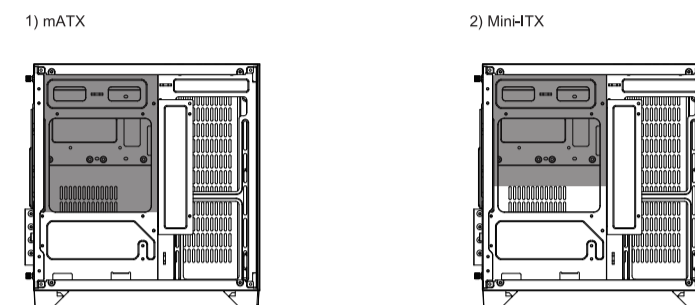
3. Removing the Left glass



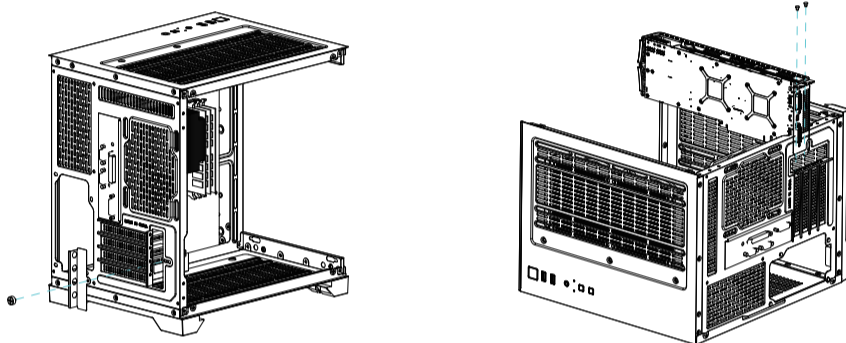
4. Mounting the motherboard



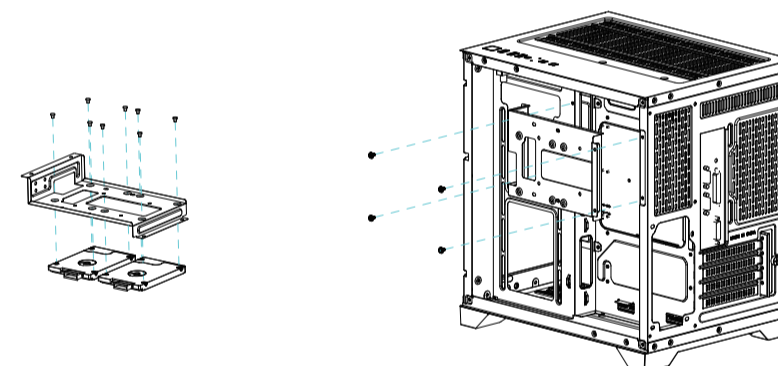
4-1. Motherboard size



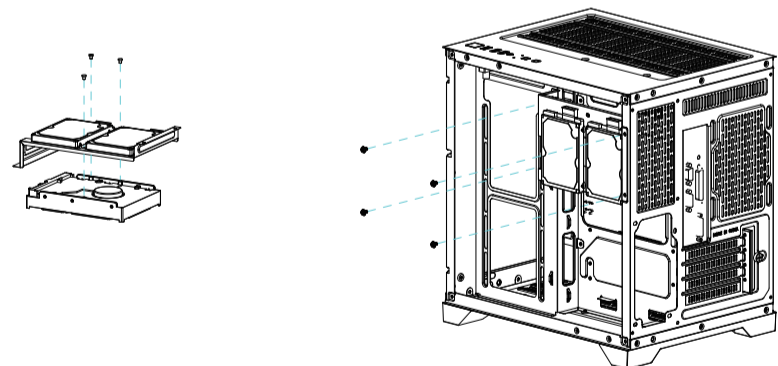
5. Mounting the PCIe(VGA) card



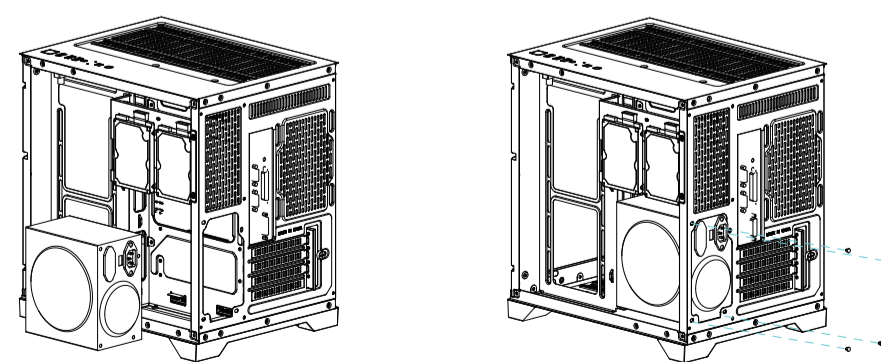
6. Mounting the 2.5" SSD



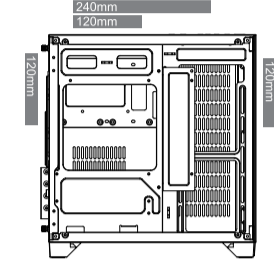
7. Mounting the 3.5" HDD



8. Mounting the PSU



9. Mounting the radiator



10. Mounting the fans

